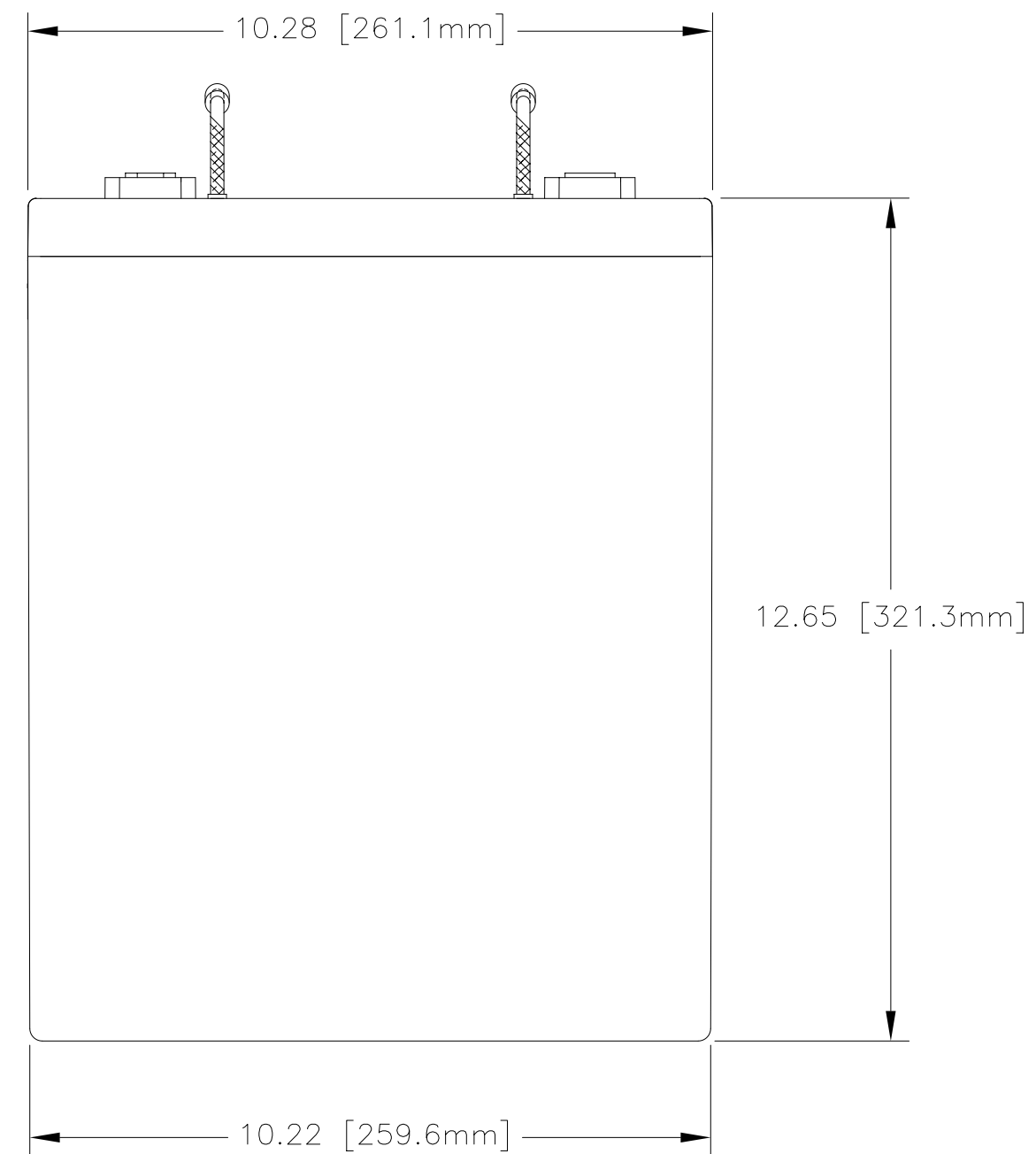
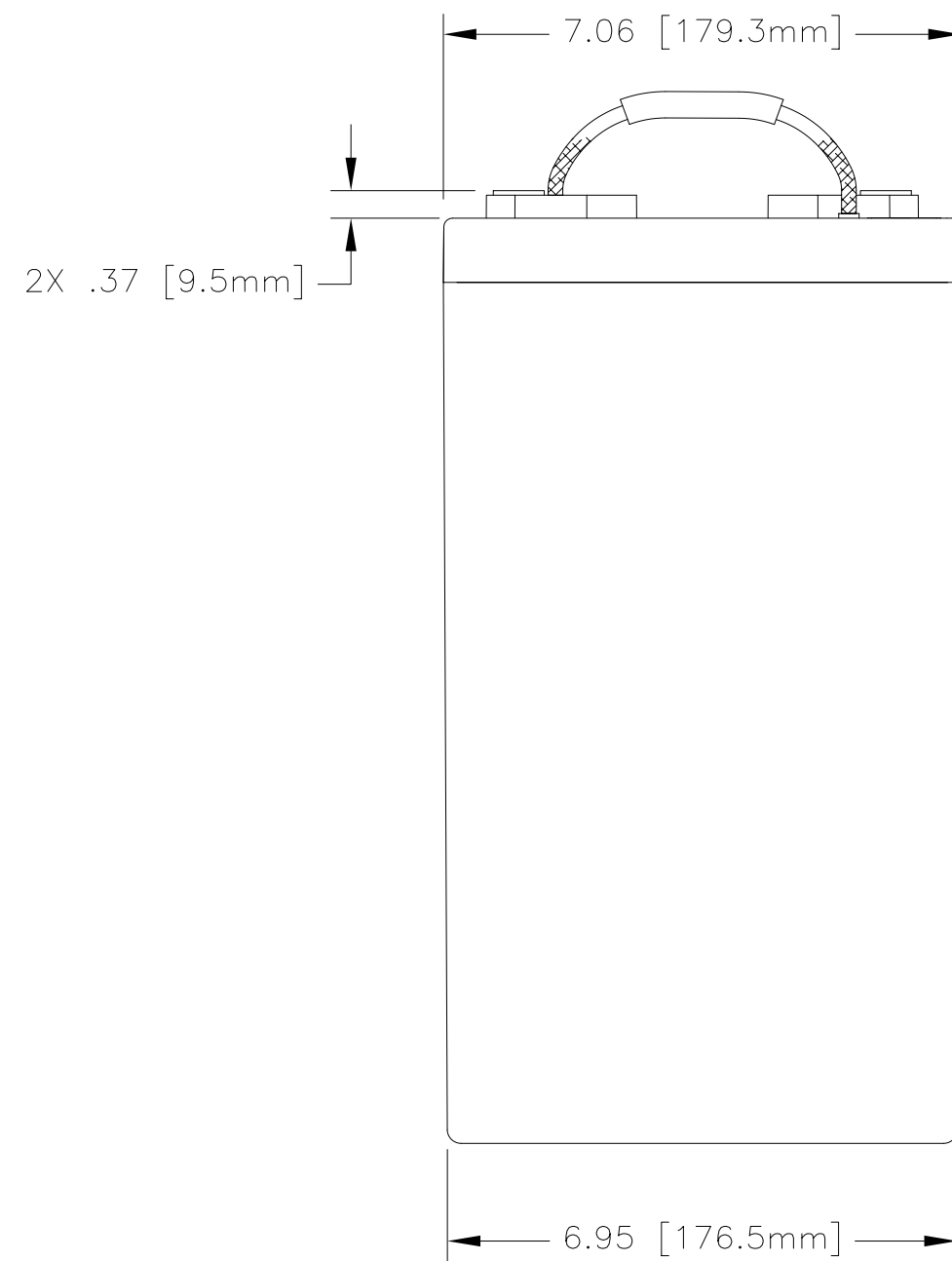
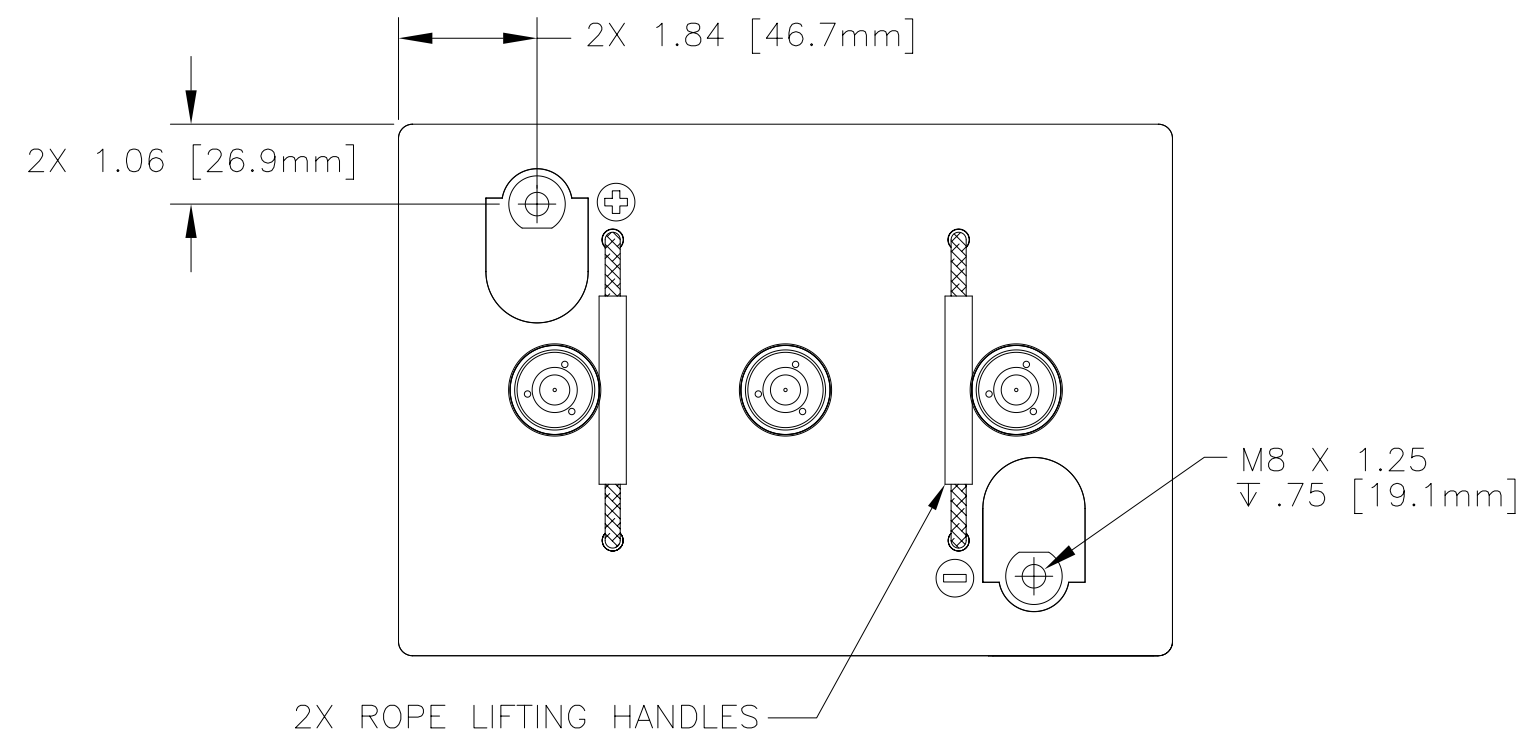


NOTES: UNLESS OTHERWISE SPECIFIED

1. SEE DRAWING NO. CB-00288 AND PROCEDURE P-1000 FOR ASSEMBLY AND TEST INSTRUCTION. PROCEDURES AND ASSEMBLY DRAWING ARE FOR INTERNAL USE ONLY.
2. ALL TESTING IS PERFORMED IAW BATTERY COUNCIL INTERNATIONAL STANDARDS.
3. ALL DIMENSIONS ARE IN INCHES [MM]

REVISIONS			
REV	DESCRIPTION	DATE	APPROVED
A	CHANGED HANDLE DIRECTION	2/26/07	JBT



ENVELOPE DRAWING

QTY REQD	CAGE CODE	PART OR IDENTIFYING NO.	NOMENCLATURE OR DESCRIPTION	MATERIAL SPECIFICATION	ITEM NO.
PARTS LIST					
UNLESS OTHERWISE SPECIFIED DIMENSIONS ARE IN INCHES TOLERANCES ARE:			CONCORDE BATTERY CORPORATION 209 SAN BERNARDINO RD, W. COVINA, CA 91790		
FRACTIONS .XX ± .12		DECIMALS .XXX ± .060		ANGLES ± 1°	
TREATMENT NONE		APPROVALS		DATE	
FINISH NONE		DRAWN RM		8/28/06	
SIMILAR TO N/A		CHECKED AMIII		12/1/06	
ACT WT N/A		APPROVED JBT		12/7/06	
CALC WT N/A		ISSUED NS		3/6/07	
TITLE			BATTERY, 6 VOLT, GPL-6CT		
SIZE C		CAGE CODE 63017		DWG NO. GPL-6CT	
SCALE 1=2.5			SHEET 1 OF 1		

ENGINEERING COPY 06MAR07

CAPACITY RATINGS	
PART NUMBER	GPL-6CT
NOMINAL WEIGHT	82 LBS [37.2 KG]
AMPERE HOUR CAPACITY @ 20 HOUR 1.75 VOLTS/CELL @ 77°F (25° C)	300 AH
MINUTES OF DISCHARGE @ 25 AMPS 1.75 VOLTS/CELL @ 77°F (25° C)	692 MIN

The data/information contained herein has been reviewed and approved for general release on the basis that this document contains no export-controlled information.